



PSU SUPPORT - CIOKS SOL CIOKS DC7 & CIOKS DC5

aclam

Follow us!  
www.aclamguitars.com

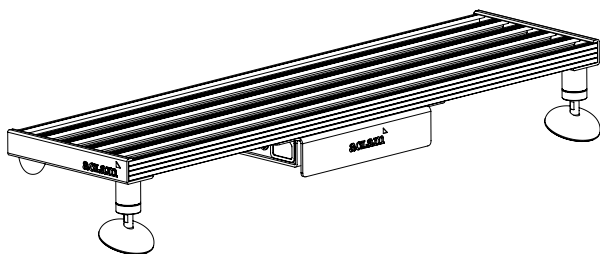
For Smart Track® pedalboards

Ref. PB1032 - Cioks Sol + Support for Aclam Pedalboards

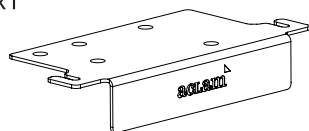
Ref. PB1031 - Cioks DC7 + Support for Aclam Pedalboards

Ref. PB1033 - PSU Support - Cioks SOL, Cioks DC7 & Cioks DC5

Read all instructions before assembly and use of product. Keep instructions for future use.



x1



x2



x2



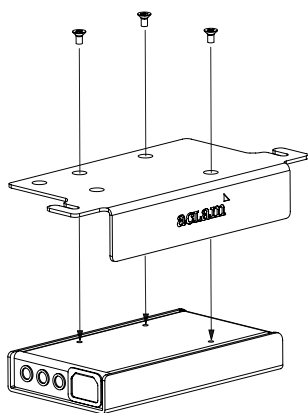
x3



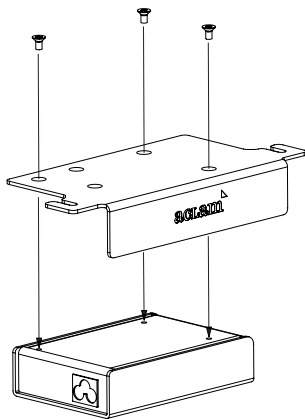
x1

1

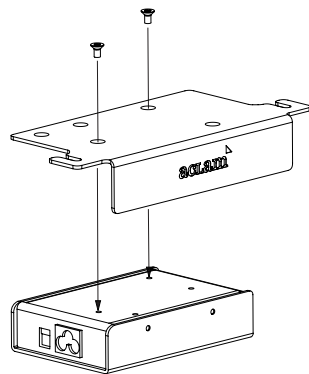
Choose the correct hole based on your Cioks model



CIOKS DC-7

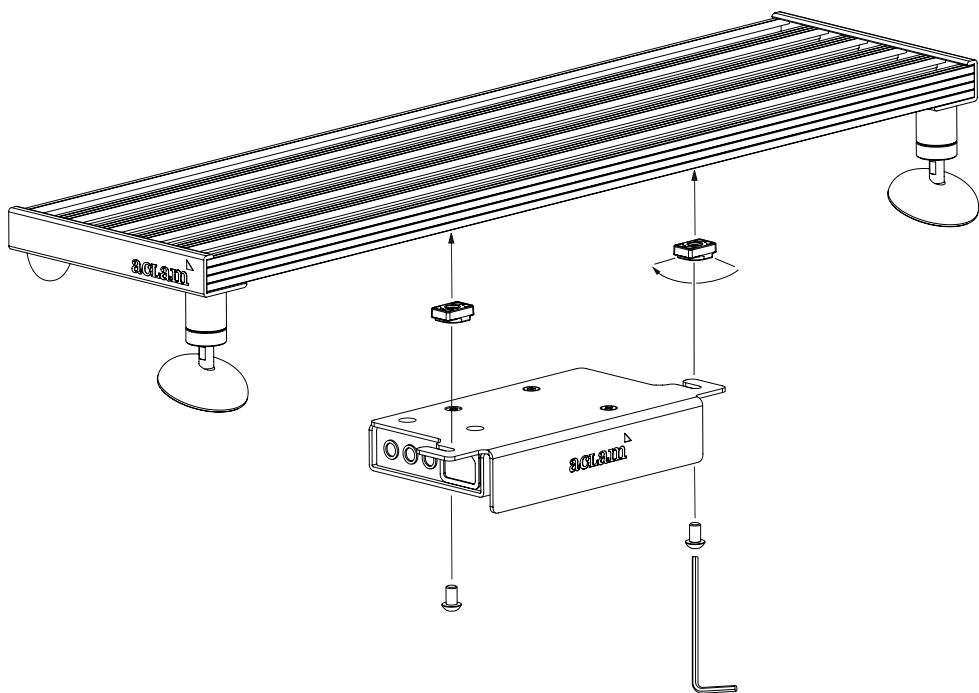


CIOKS SOL



CIOKS DC-5

- ② To adjust the hammer, turn it 90 degrees once placed on the pedal board



Materials:

Aluminum sheet
Zinc plated steel
Stainless steel